

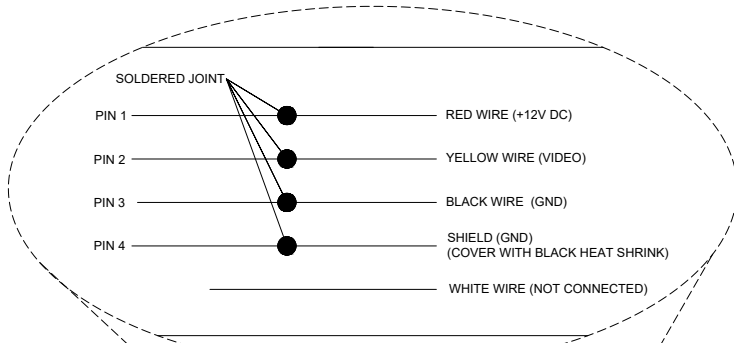
CHANGES FROM BASE PRODUCT VBVL4025 (1554) TO AC-069 (5318)

- CHANGE:
1. REPLACE 4 PIN FEMALE VBVL4025 CB-LBL TO BE REPLACED BY AC-069 (5318) CB-LBL
 2. VBVL4025 CB-LBL TO BE REPLACED BY AC-069 (5318) CB-LBL
 3. VBVL4025 GB-LBL REPLACED BY AC-069 (5318) GB-LBL
 4. AC-069-IG (5322) ADDED

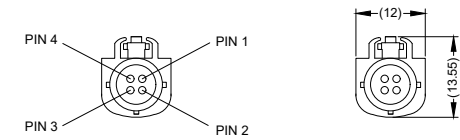
Revision Notes:				
R1 -				
APA: -	Drawn:-	Checked:-	Approved:-	Date: -

CONNECTION MATRIX

CONNECTOR B	CONNECTOR A				
	PIN	1	2	3	4
1	/				/
2					
3		/			
4					
WIRE	RED	BLACK / SHIELD	WHITE	YELLOW	
DESCRIPTION	+12V	GND	N/C	VIDEO	

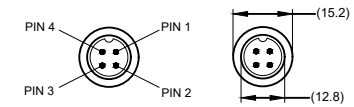


VIEW B

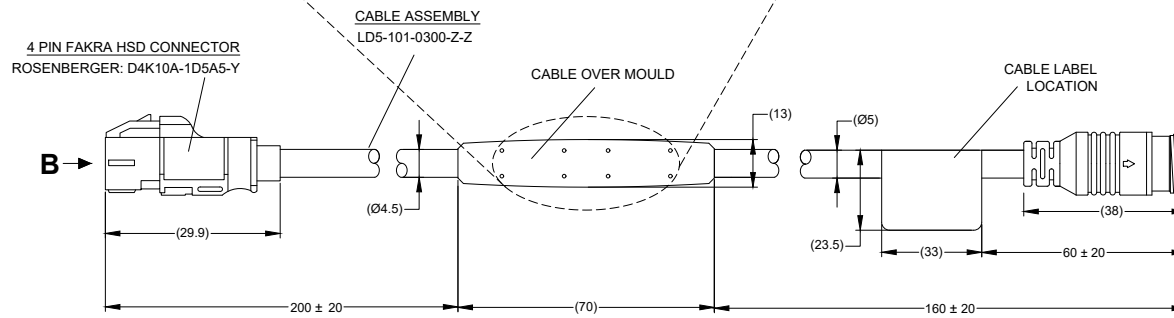


4 PIN FEMALE MATING FACE

VIEW A



4 PIN MALE MATING FACE



- NOTES:
1. REFER TO MASTER BOM FOR LABEL DETAILS.
 2. ANY CUSTOMER MODIFICATION OF THIS PRODUCT CAUSING SUBSEQUENT FAILURE IS NOT A LIABILITY OF BRIGADE ELECTRONICS PLC.
 3. CABLES SHOULD BE ONE CONTINUOUS LENGTH BETWEEN CONNECTORS.
 4. COMPATIBLE WITH MAN/SCANIA HARMAN RADIO WITHOUT CAMERA PREPERATION - FOR COMPATABILITY - REFER TO AC-068/AC-069 INSTRUCTION GUIDE.
 5. WIRE JOINTS MUST BE INDIVIDUALLY COVERED WITH HEATSHRINK.

PROPRIETARY NOTICE

THIS DESIGN AND TECHNICAL INFORMATION APPEARING ON THIS DRAWING IS THE PROPERTY OF BRIGADE ELECTRONICS, AND IS DISCLOSED IN CONFIDENCE. IT IS NOT TO BE COPIED, REPRODUCED, REVEALED TO OR EXPROPRIATED BY OTHERS, EITHER IN WHOLE OR IN PART WITHOUT THE EXPRESS WRITTEN CONSENT OF BRIGADE ELECTRONICS.



Assembly Pl Approval S.ATTWOOD 13/06/17	Approved by B.CHILDS	Checked by J.TYRRELL	Released 28/06/17	Drawn by D.RICHARDSON	Assembly Ref -
Angle of Projection 	Units mm	Scale N/A	Status RELEASED	AC-069	
Third Angle	Part No 5318	BE-003682-00-17			